

# A SAFER WAY TO REACH NEW HEIGHTS

## BS 8620:2016 PODIUM

Instruction/Safety Manual Self Closing Mobile 1 Person Low Level Working Platform, 0.75m, 1.0m platform height.

Maximum safety working load 150Kg

For more information, please contact us via:

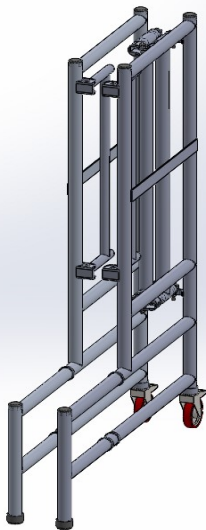
Phone: 01621 788147

[www.bossscaffoldtowers.uk.com](http://www.bossscaffoldtowers.uk.com)

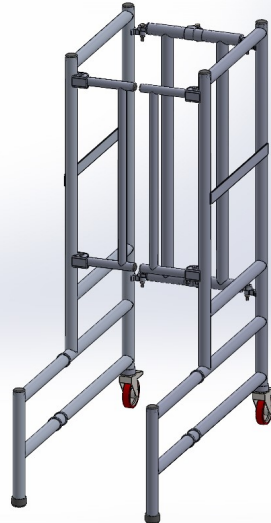
**Always** carry out a risk assessment for each task before you start work, to ensure BS8620:2016 Podium is the correct mode of access for the



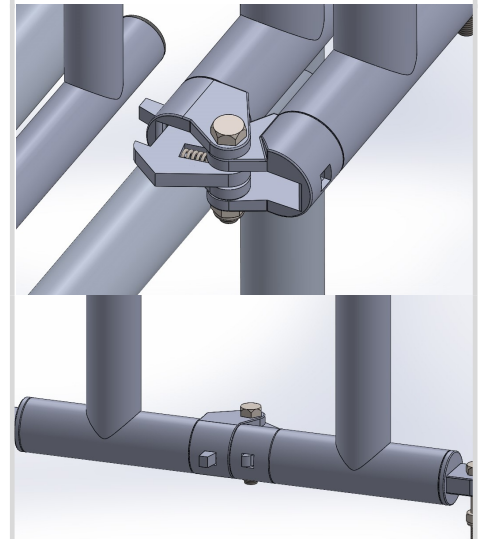
1. With Podium closed, move into po-



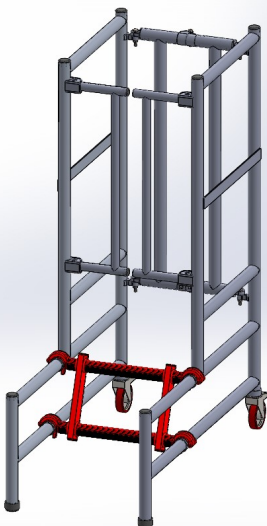
2. Unfold rear frame of the Podium



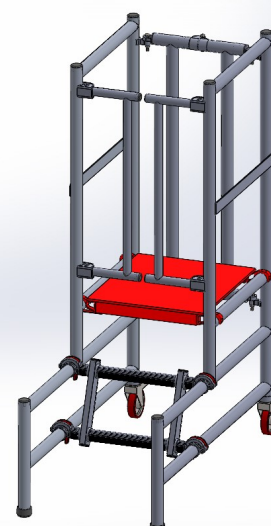
3. Ensure the bottom locking elbow has



4. Push ladder hooks onto lowest rung between the guides until it locks. Now



5. Hook on platform at chosen height and turn wind lock to closed position.



6. Attach stabilisers by tightening the palm wheel and coupler.



# CONFIGURATION OPTIONS

configuration options ensure that all stabiliser clamps are

**Important:** For all fully tightened to ensure safe

1. Rear elevation against a wall. Position both stabilisers at 90° from the Podium



2. Rear and side elevation against a wall. Position stabiliser at 90° from the Podium



3. Side elevation against a wall. Position 1 stabilisers at 90° from the Podium, and 1 parallel



4. In open area, working at rear or overhead, put stabilisers at 45° from body as shown in



5. In open area, working over sides or overhead, put stabilisers at 90° from body as



## Component List:

1 x Main Frame  
1 x Access Ladder  
2 x Stabilisers  
1 x Access Ladder  
1 x Platform

All replacements can be purchased directly



Read the instructions



Inspect before use



Face the access when ascending and descending



Only ascend or descend the LLWP using the access provided



Ensure all brakes are locked



Ensure side protection gate is closed and secured before use



Do not use on loose or slippery surfaces



Never more than one person



Do not overreach



Never stand on the side protection or use boxes, stepladders or other objects to gain extra height



Do not use damaged equipment



Do not use on sloping or uneven surfaces



Working Platform must be level



Never work near powerlines or other electrical equipment



Never use as a means of access to another place



Never stand on the access ladder to work



Never move when a person is standing on a workplatform



Beware of finger traps where these potentially exist

T&RGETMARK  
CERTIFIED

BS 8620:2016

TM1005  
testandresearch.org



**MADE IN  
BRITAIN**